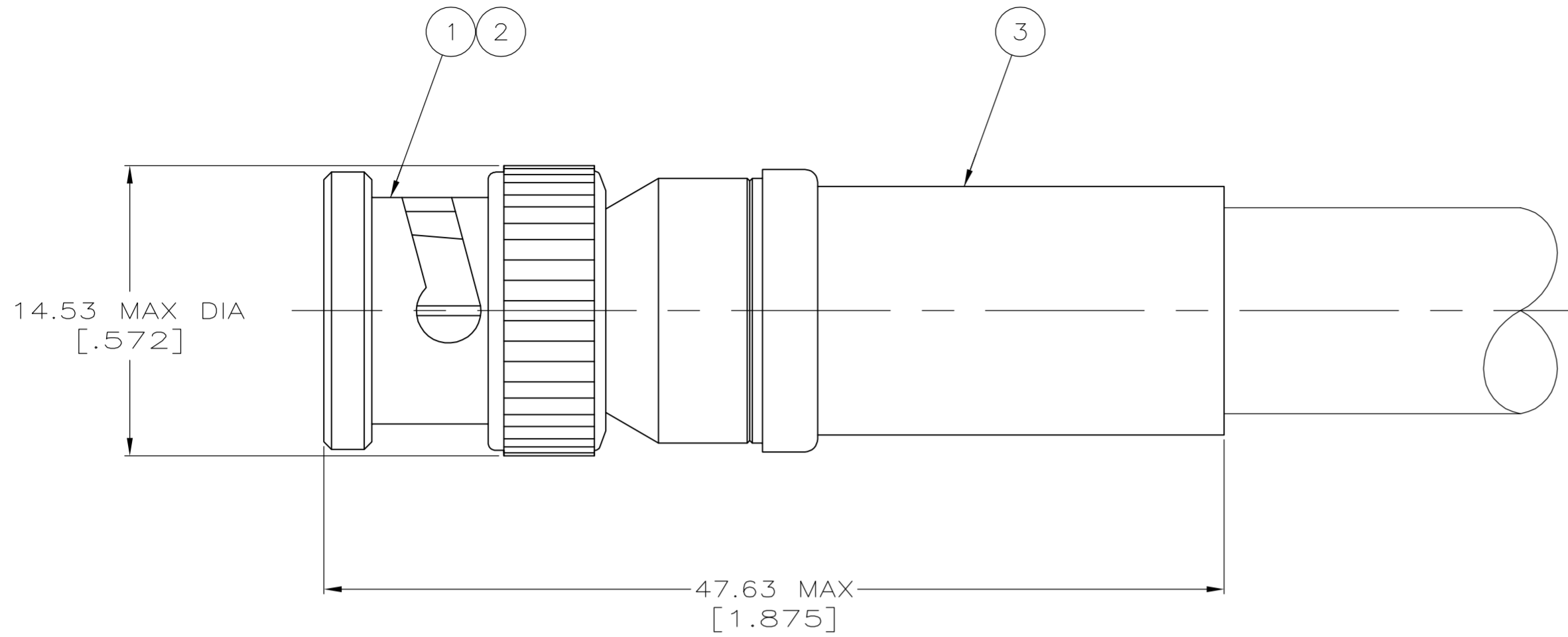
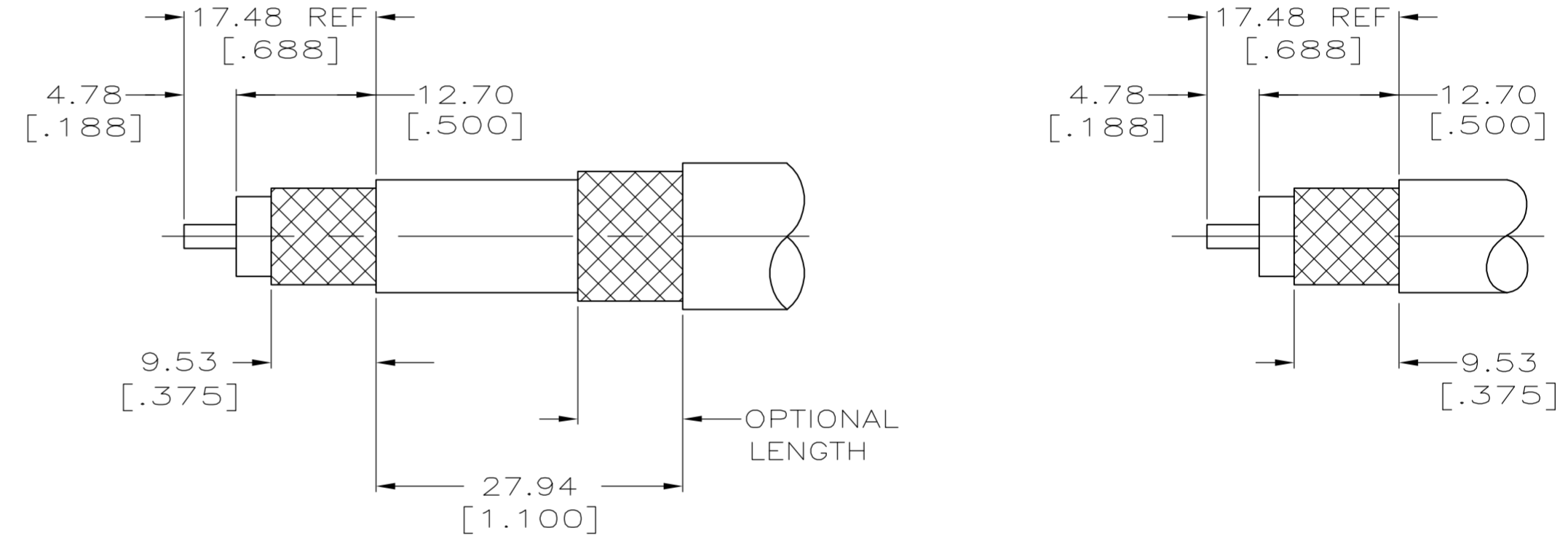


THIS DRAWING IS UNPUBLISHED. RELEASED FOR PUBLICATION
 © COPYRIGHT BY TYCO ELECTRONICS CORPORATION. ALL RIGHTS RESERVED.

| LOC | DIST | REVISIONS | | | |
|-----|------|-------------|---------------------------|---------|-------|
| P | LTR | DESCRIPTION | DATE | DWN | APVD |
| AJ | 16 | | | | |
| | | K | REVISED PER ECO-05-008694 | 03NOV05 | BM JL |



- △1 FOR USE WITH, INTERCOMP RG-11/U TYPE CABLE, .068 DIA CENTER CONDUCTOR, .285 DIA DIELECTRIC, .385 O.D. JACKET, USE STRIP LENGTH A.
- △2 FOR USE WITH, BELDEN 8213 CABLE & THE COAX PORTION OF BELDEN 9232 CABLE, USE STRIP LENGTH B.
- 3. USE CRIMPING TOOL: 220015-1.
- 4. SEE I.S. 1914-1
- △5 RG-9/U, RG-9A/U, RG-9B/U, RG-214/U, RG-8/U, RG-8A/U & RG-213/U.



VIEW A VIEW B
 RECOMMENDED STRIP LENGTH
 SCALE 2:1

| | | | | | | | | |
|------------------------|-------------------------|-------------------|------------------|---------|------------------|----------|--------------------|-------------|
| SUPERSEDED BY 225886-4 | RG-11/U | B | 9-51713-0 | 22526-4 | 225887-2 | 225886-8 | | |
| | TIMES FM-8 | B | 9-51713-0 | 22526-6 | 225887-2 | 225886-7 | | |
| | △1 △2 | A OR B, SEE CABLE | 9-51713-0 | 22596-4 | 225887-2 | 225886-6 | | |
| OBSOLETE | ALPHA 9847 | B | 51713-2 | 22596-4 | 225887-3 | 225886-5 | | |
| | RG-11/U | B | 51713-2 | 22526-4 | 225887-1 | 225886-4 | | |
| SUPERSEDED BY 225886-1 | RG-9/U,9A/U,9B/U &214/U | B | 51713-2 | 22596-2 | 225887-1 | 225886-2 | | |
| | △5 | B | 51713-2 | 22596-2 | 225887-1 | 225886-1 | | |
| FOR USE WITH CABLE: | VIEW | 3 | FERRULE QTY=1 | 2 | CONTACT QTY=1 | 1 | PLUG ASSY QTY=1 | PART NUMBER |

THIS DRAWING IS A CONTROLLED DOCUMENT.

| | | |
|------|-------------|---------|
| DWN | NIK FRITZ | 9-18-90 |
| CHK | J. LIPPERT | 11-7-91 |
| APVD | M. PHILLIPS | 11-7-91 |

NAME: PLUG, DUAL CRIMP SERIES BNC

SIZE: A2 CAGE CODE: 00779 C=225886 DRAWING NO: 108-12020

SCALE: 4:1 SHEET: 1 of 1 REV: K